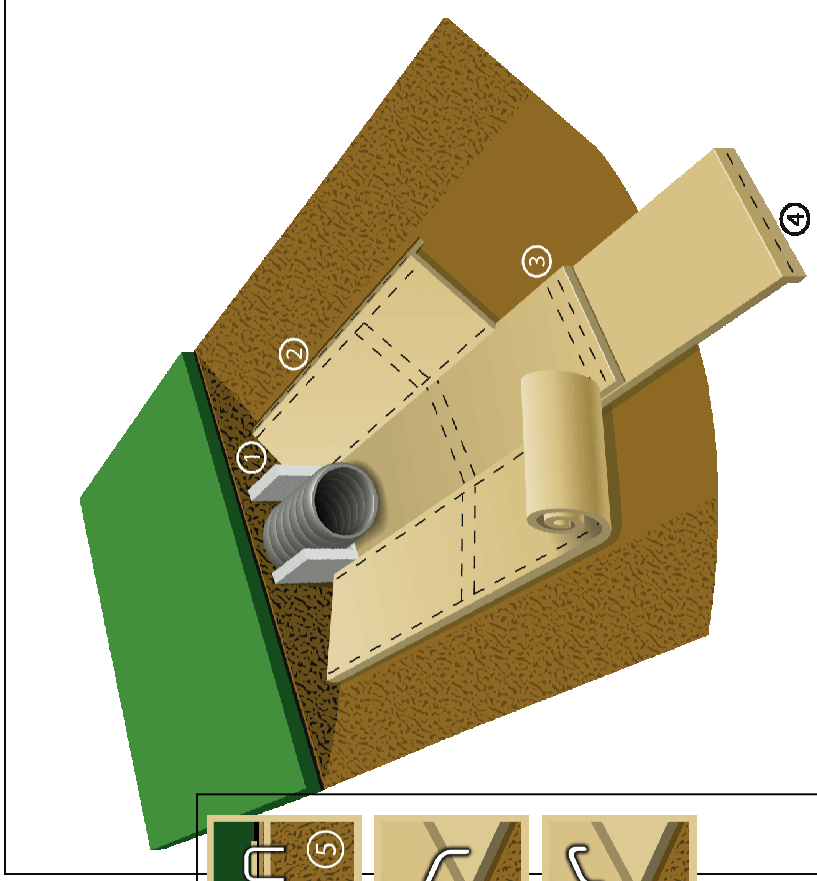


Slope Installation

- Prepare soil, remove debris, add seed and amendments.
- Cut an 6” trench top of slope and place blanket in trench (detail 5)*
- Staple blanket in trench 1’ O.C, fill and compact trench
- Roll blanket down hill or vertically along slope
- Overlap at adjoining seams approximately 3”.
- Some specifications may require end either stapled 1’ O.C. or buried.

*Site conditions, experience and engineer dictate use of trenches, check slots and staple spacing



Channel Installation

- Prepare soil, remove debris, add seed and amendments.
- Cut an 6” trench at the beginning of the trench and place blanket in trench (detail 5) *
- Staple blanket in trench 1’ O.C, fill and compact trench.
- Roll blanket down trench starting in the middle working your way out and up side of slope/channel.
- Check slot (2 roles of staples 4” apart) every 25’*
- Overlap at adjoining seams approximately 3” .Some specifications may require end either stapled 1’ O.C. or buried.

<p>General Stapling Rule of Thumb*: 4:1 = 1 staple/sy 3:1 = 1.5 staples/sy 2:1 = 2 staples/sy 1:1 = 3 staples/sy</p>	<p>General Channel Stapling Rule of Thumb*: Less than 2lbs/ft² = 2 to 3 staples per sy Greater than 2lbs/ft² = 3 to 4 per sy</p>
--	--